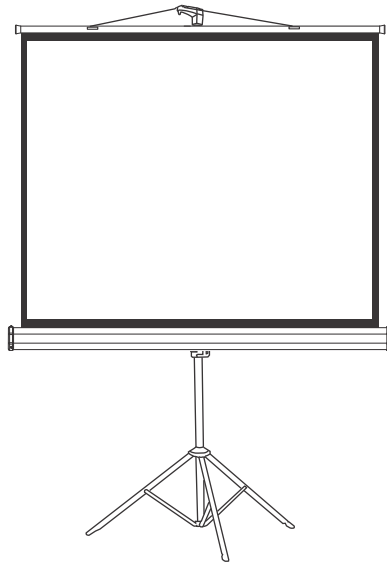


TriMaxx

Deluxe Tripod Screen

Thank You For Choosing Our Projector Screen.
Please Read This Manual Carefully Before Using Your Screen.



THANK YOU FOR CHOOSING OUR DELUXE TRIPOD SCREEN.

All of our screens are inspected against very strict quality standards. We are confident that you will be fully satisfied with your selection. Please take a few minutes to carefully read this manual before using your screen. Enjoy!

TRIPOD WALL SCREEN

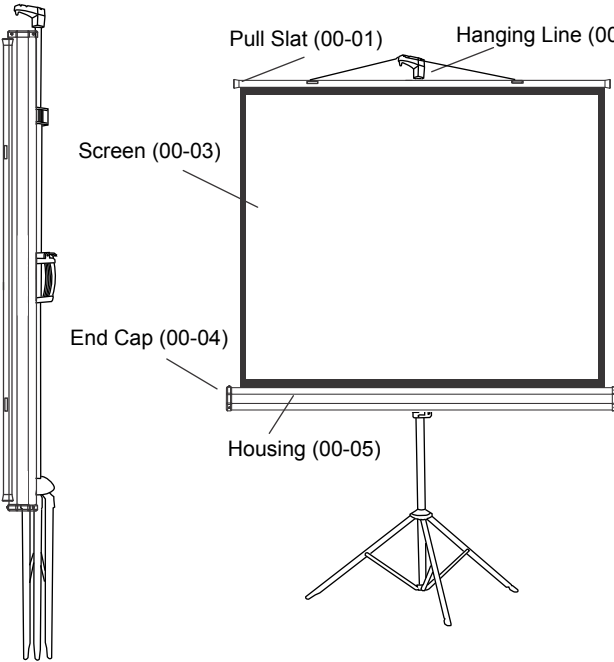


Figure 1.0: Closed screen in travel mode

Figure 1.1: Open screen in display mode

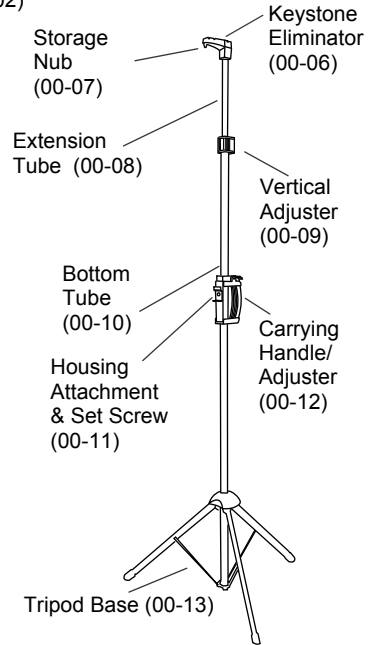
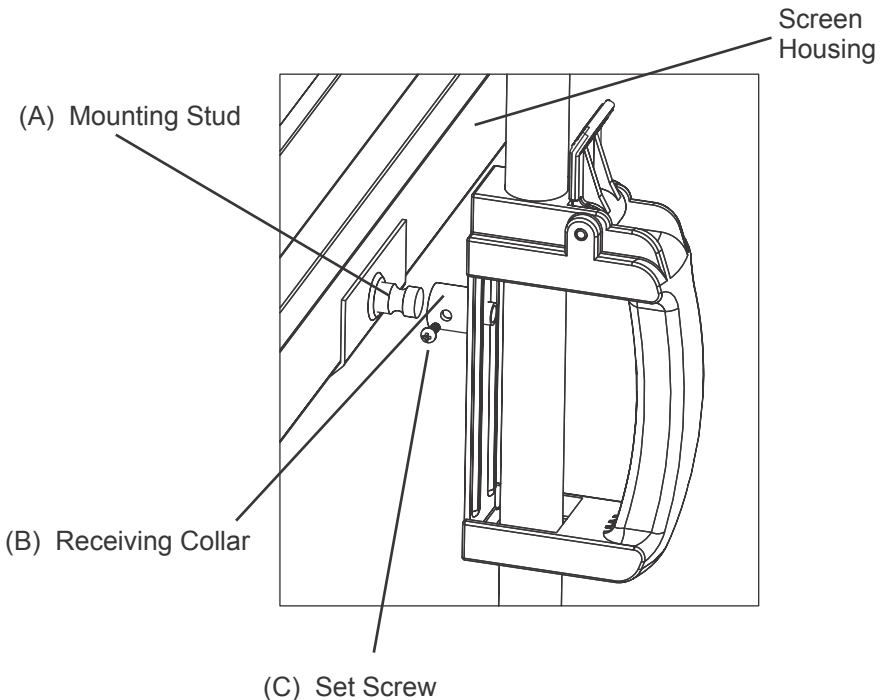


Figure 1.2: Tripod Shown Without Screen

ASSEMBLY INSTRUCTIONS

- Release the tripod base and extend the support feet. (Figure 2.0, 2.1)
- Remove the set screw from the receiving collar (A) on the housing attachment.
- Mount the screen by lining up the mounting stud (B) on the back of the screen housing to the receiving collar (B) the tripod housing attachment.
- Fully insert stud and tighten the set screw (C) in place.
- After tightening the set screw the screen can be rotated 90° to switch between storage and display mode.



OPERATING INSTRUCTIONS

- Release the tripod base and extend the support feet. (Figure 2.0, 2.1)
- Rotate the screen housing 90° from its vertical position (store) to its horizontal position (display). (Figure 2.1) Make sure the housing is secured to the housing attachment (00-11) before pulling out the screen (i.e. complete assembly instructions first).
- Partially pull out the screen and hook the hanging line (00-02) over the keystone eliminator (00-06).
- With one hand on the extension tube (00-08) use the other hand to loosen the vertical adjuster (00-09), then pull up on the extension tube until you have reached the desired vertical position and then tighten the vertical adjuster (00-09).
- The housing attachment/carrying handle (00-11/00-12) is designed to allow for vertical adjustment of the screen housing along the bottom tube. Loosen the clip on the carrying handle and lower the screen to the desired vertical position, then snap the adjuster clip back into place.
- To store the screen simply follow the above directions in reverse.
- NOTE: To maximize the life of your tripod screen always use slow and smooth actions when opening and closing the screen.



Figure 2.0

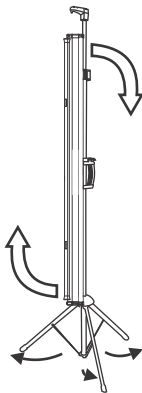


Figure 2.1

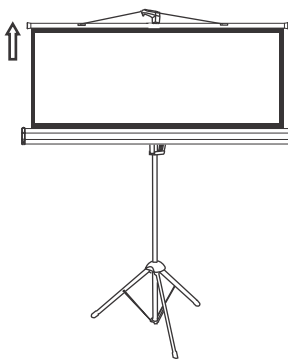


Figure 2.2

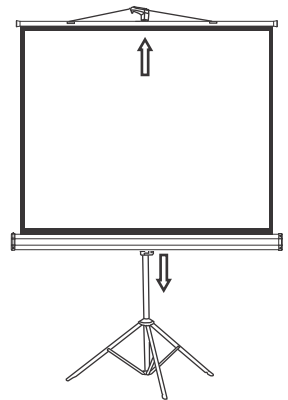


Figure 2.3

TRIPOD WALL SCREEN

SCREEN MAINTENANCE & PROPER OPERATING CONDITIONS

- The screen surface may be cleaned with warm water and a soft cotton cloth.
- To prevent marring or smudging the screen surface be careful no to touch the screen surface with your fingers or any object (i.e. pointing device)
- Do not display or store your screen in direct sunlight.
- Do not display your screen in front of a door, window, fan or heating or cooling vent as air flow will disrupt your viewing experience, and direct sunlight could cause fading.
- Handle the screen carefully to avoid damage and prolong the life of your screen.

TECHNICAL DATA

▶ Matte White Screen

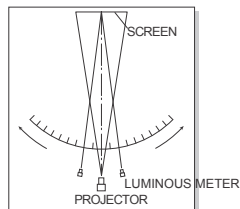
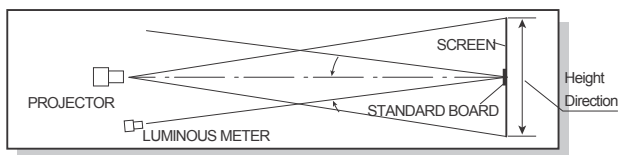
Gain: 0.9

Viewing Angle: $>160^\circ$

High color rendering, high resolution.

▶ Gain Measurement: refer the diagram below

Standard: JB/T8389 issued by Ministry of Machinery Industry



▶ Viewing Angle Measurement: refer the figure below

Standard: JB/T8389 issued by Ministry of Machinery Industry